



MARSHALL ENGINEERED PRODUCTS CO.

THV Series Thermostatic Radiator Valves

The MEPCO Thermostatic Valves and associated actuators offer the specifier, installer, and owner the best features necessary to achieve accurate and efficient room temperature control of hydronic and steam heating systems.

Mepco Thermostatic Valves (THV Series) regulate the flow of hot water or steam through free-standing radiators, baseboards or convectors, in hot water and two piped low pressure steam heating systems. They are designed for easy installation, comfort, energy efficiency and durability.

The MEPCO Thermostatic Valve operator consists of a standard vapor charged bellows and a setting dial. The dial is set to the position equal to the desired temperature. On a falling temperature, the liquid sensing element contracts, expanding the integral bellows upward into the sealed liquid chamber. The overload spring and pushrod are also moved upward by the valve stem/return spring. The attached valve plug opens the valve to flow. On a rising temperature, the reverse occurs.

Features:

- Fast acting modulating control of the space temperature.
- Theft protection device optional
- "Snap-action" mechanism allows easy installation and removal
- Sturdy EPDM rubber valve disc
- Elegant design



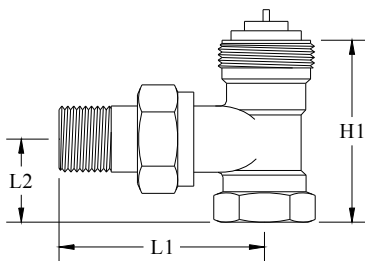
MARSHALL ENGINEERED PRODUCTS CO.

3056 Walker Ridge Drive NW, Suite C, Grand Rapids, Michigan 49544
Phone 616.246.1431 Fax 616.246.1445 www.mepcollc.com

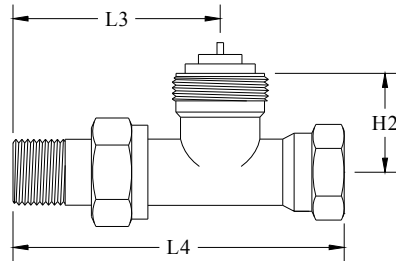


MARSHALL ENGINEERED PRODUCTS CO.

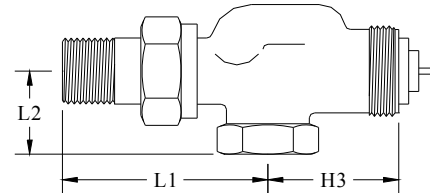
Thermostatic Radiator Valve Configurations & Dimensions



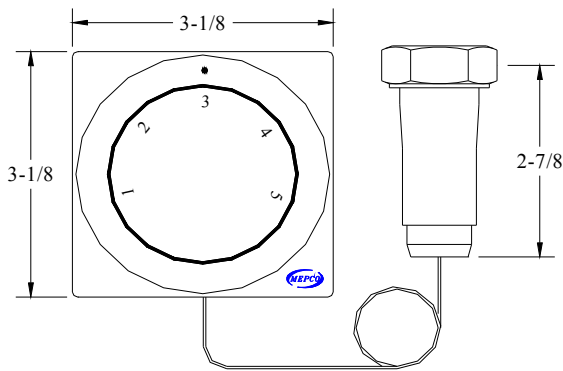
THVA - ANGLE BODY



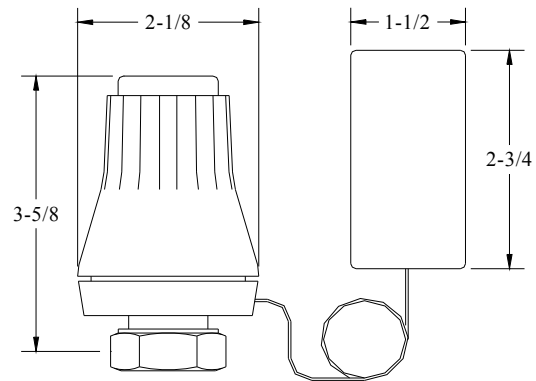
THVS - STRAIGHT BODY



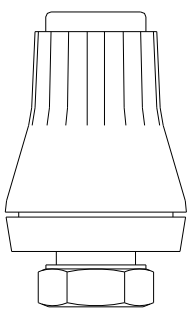
THVR - REVERSE ANGLE BODY



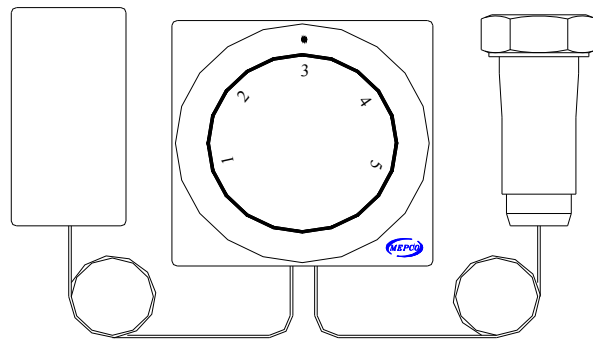
THVLB - WALL MOUNT REMOTE BULB



THVLR - REMOTE SENSOR



THVLI - INTERNAL SENSOR



THVLC - WALL MOUNT DUAL CAPILLARY

VALVE BODY DIMENSIONS (IN.) - ALL INLETS ARE FEMALE NPT; OUTLETS ARE EITHER MALE NPT OR FEMALE SWEAT

SIZE	L1	L2	L3	L4	H1	H2	H3
1/2	2-3/8	1-1/16	2-7/16	3-7/8	2-1/8	1-1/8	1-1/2
3/4	2-3/4	1-1/8	2-3/4	4-5/16	2-1/4	1-3/4	-
1	3	1-3/8	3-1/4	5	2-1/2	1-7/8	-
1-1/4	3-3/8	1-9/16	3-5/8	6	2-3/4	2	-



MARSHALL ENGINEERED PRODUCTS CO.

Thermostatic Radiator Valve

Actuators & Bodies Part Numbers

Thermostatic Radiator Valve Bodies (THV)

Straight Pattern Body (S)

Item Number	Size	Model
130-001	1/2"	1/2" THVZST
130-002	3/4"	3/4" THVZST
130-003	1"	1" THVZST
130-004	1-1/4"	1-1/4" THVZST

Straight Pattern Body (S)

Item Number	Size	Model
130-005	1/2"	1/2" THVZSS
130-006	3/4"	3/4" THVZSS
130-007	1"	1" THVZSS
130-008	1-1/4"	1-1/4" THVZSS

Angle Pattern Body(A)

Item Number	Size	Model
130-009	1/2"	1/2" THVZAT
130-010	3/4"	3/4" THVZAT
130-011	1"	1" THVZAT
130-012	1-1/4"	1-1/4" THVZAT

Angle Pattern Body(A)

Item Number	Size	Model
130-013	1/2"	1/2" THVZAS
130-014	3/4"	3/4" THVZAS
130-015	1"	1" THVZAS
130-016	1-1/4"	1-1/4" THVZAS

Reverse Angle Pattern (R)

Item Number	Size	Model
130-017	1/2"	1/2" THVZRT
130-018	3/4"	3/4" THVZRT
130-019	1"	1" THVZRT

Reverse Angle Pattern (R)

Item Number	Size	Model
130-020	1/2"	1/2" THVZRS
130-021	3/4"	3/4" THVZRS
130-022	1"	1" THVZRS

Angle Steam Vent Body (V)

Item Number	Size	Model
130-027	3/8"	3/8" THVV

Thermostatic Radiator Valve Actuators (THV)

Internal Sensor (I)

Item	Item No.	Cap	Model
Liquid Element (LI)	130-028	None	THVLI

Remote Bulb (R)

Item	Item No.	Cap	Model
Liquid Element	130-029	6'	6' THVLR

Wall Mounted (LB)

Item	Item No.	Cap	Model
	130-030	6'	6' THVLB
	130-031	16'	16' THVLB
	130-032	32'	32' THVLB

Wall Dual Capillary (LC)

Item	Item No.	Cap	Model
	130-033	6'	6' THVLC

Note: A complete thermostatic radiator valve includes a valve body and an actuator.

Marshall Engineered Products Company

Industry Leaders in the Design and Manufacture of Engineered Steam & Hydronic Solutions

3056 Walker Ridge Drive NW Suite C Grand Rapids, MI 49544

Tel: 616-249-1431 Fax: 616-246-1445

www.mepcollc.com email: Mepco@mepcollc.com



MARSHALL ENGINEERED PRODUCTS CO.

THV Series Thermostatic Radiator Valve Specifications

- 1.0 General—Furnish and install, as shown on the drawings, specifications , and or/ schedules. Mepco Thermostatic Valves with self-contained liquid filled actuators for space temperature control of hydronic or steam heating systems.
- 2.0 Valve/Actuator Characteristics- Valves shall be available in sizes 1/2 thru 1-1/4", in straight, angle, reverse angle, and double angle patterns with double o-ring gland, union nut sweat or threaded outlet tailpiece and female pipe thread inlets. It shall be possible to replace the valve bonnet without isolation or system shutdown. Actuators shall be self-contained and shall be available in attached, remote bulb, wall, and wall mounted with dual capillary styles. Actuators may have concealed set point/limit lock feature and set point memory disc. Optional thermostat guards shall reinforce installation strength and prevent tampering.
- 3.0 Material Characteristics—All valves shall have forged bronze bodies, brass or stainless steel trim, stainless steel stems, and EPDM seals. Actuators shall have liquid filled elements with high impact white plastic covers.
- 4.0 Valve Sizing- All balancing valves shall be sized to perform at specified flows with a maximum of 1.0 atmospheric pressure drop and at fluid temperatures below 232-250 degrees Fahrenheit.
- 5.0 Manufacture - complies with ISO 9001 Specifications. Sold through MEPCO (Marshall Engineered Products Company) authorized representatives.
- 6.0 Warranty—Valves and thermostats shall be free of material and workmanship defects for a period of 12 months from date of installation or from 18 months from date of shipment, whichever ever comes first.

Hydronic Hot Water Systems

Max. Temperature : 250 Degrees Fahrenheit
 Max. Static Pressure: 45 psig
 Max. Test Pressure: 232 psig
 Max. Differential Pressure (water): 20 psig
 Max. Sensor Temperature: 140 Degrees Fahrenheit
 Adjustable Temperature Range: 45-86 Degrees Fahrenheit

Two-Pipe Low Pressure Steam Systems

Max. Temperature: 250 Degrees Fahrenheit
 Max. Test Pressure: 232 psig
 Max. Steam Pressure: 15 psig
 Max. Sensor Temperature: 140 Degrees Fahrenheit
 Adjustable Temp. Range: 45-86 Degrees Fahrenheit



MARSHALL ENGINEERED PRODUCTS CO.

3056 Walker Ridge Drive NW, Suite C, Grand Rapids, Michigan 49544
Phone 616.246.1431 Fax 616.246.1445 www.mepcollc.com